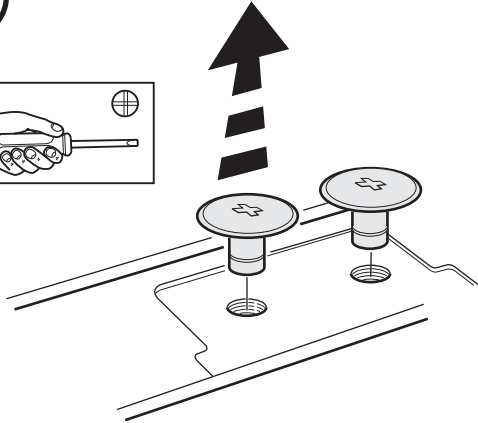
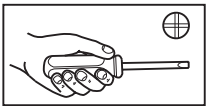
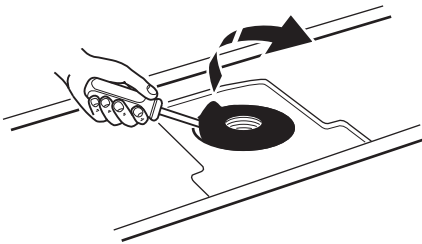


# APPENDIX P/N A66SX 46002

1



2



3

